

PROLINE 50 TRACK



Linear, track mounted luminaire with selection of diffusers. Top quality SMD LED modules with colour consistency MacAdams ≤ 3 , extensive portfolio of lumen ranges, CCTs and spectra. Variety of track adaptor integrated drivers: standard EVG on/off, DALI and wireless controlled as MasterConnect or Casambi on request. Built-in or remote, wireless occupancy & daylight sensor available to allow significant energy savings and wireless connectivity. Mounting on universal track: Global / Unipro. Track adaptor for any other type of track system on request. Body is made of aluminium profile. Standard colour RAL 9005S, any other colour from basic RAL range available at no extra cost. Variety of lengths, diffusers types, lumen outputs and drivers allows to use this luminaire in different types of lighting projects. Luminous flux & Luminaire Power tolerance up to 10%. System power consumption depends on components used. Luminous efficacy depends on type of LED's, electronics, optics and diffuser. The most up to date technical parameters can be found on our website and in database of LDT files.

Lighting direction



PDF datasheet:



PROLINE 50 TRACK

Mounting:	Track mounted
Body material:	Aluminium profile
Colour:	Standard black RAL 9005S, other RAL colours on request
Lumen output:	Standard up to 5500 lm, any other on request
LED module:	Signify (Philips), Tridonic or equivalent SMD LED modules
Colour temperature:	3000/4000K other on request
Colour Rendering:	CRI>80 in standard, other on request
Driver:	EVG on-off/DALI/MC (MasterConnect)/Casambi, other on request
Wireless control:	Philips MasterConnect / Casambi, other on request
Daylight/Occupancy sensor:	Built-in XC sensor or Wireless MCS sensor
Emergency unit:	N/A
Operating temperature range:	0°C ... +35°C
IP Class:	IP20 in standard
Power:	220-240V 50/60Hz
Lighting direction:	Direct lighting
Light distribution:	Symmetric
Optics:	N/A
Diffusor:	OP white acrylic, MP19H microprismatic UGR<19
Beam angle:	All types available in our LDT file database
Warranty:	5 Years standard warranty

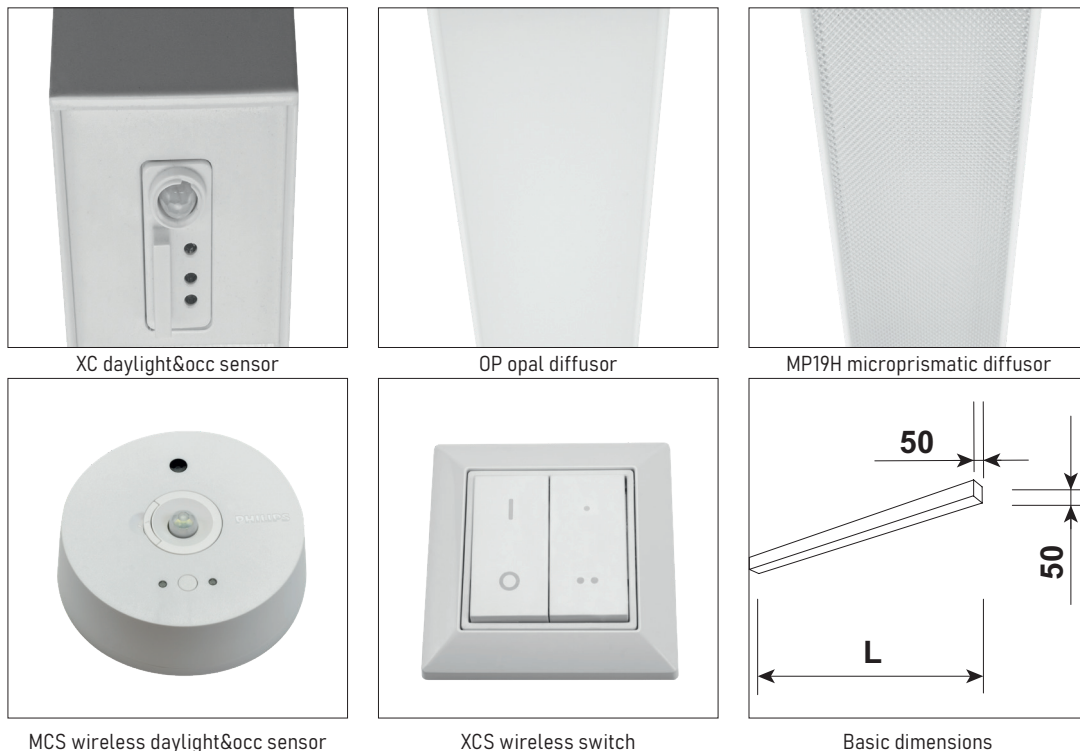
PROLINE 50 TRACK track mounted luminaire



Energy saving MasterConnect wireless lighting control system with daylight and movement detection technology on request.



All current index numbers, lumen outputs, power consumption and many other technical information are available in our 2024 pricelist. Details on wireless lighting control systems on page number 896.



XC daylight&occ sensor

OP opal diffusor

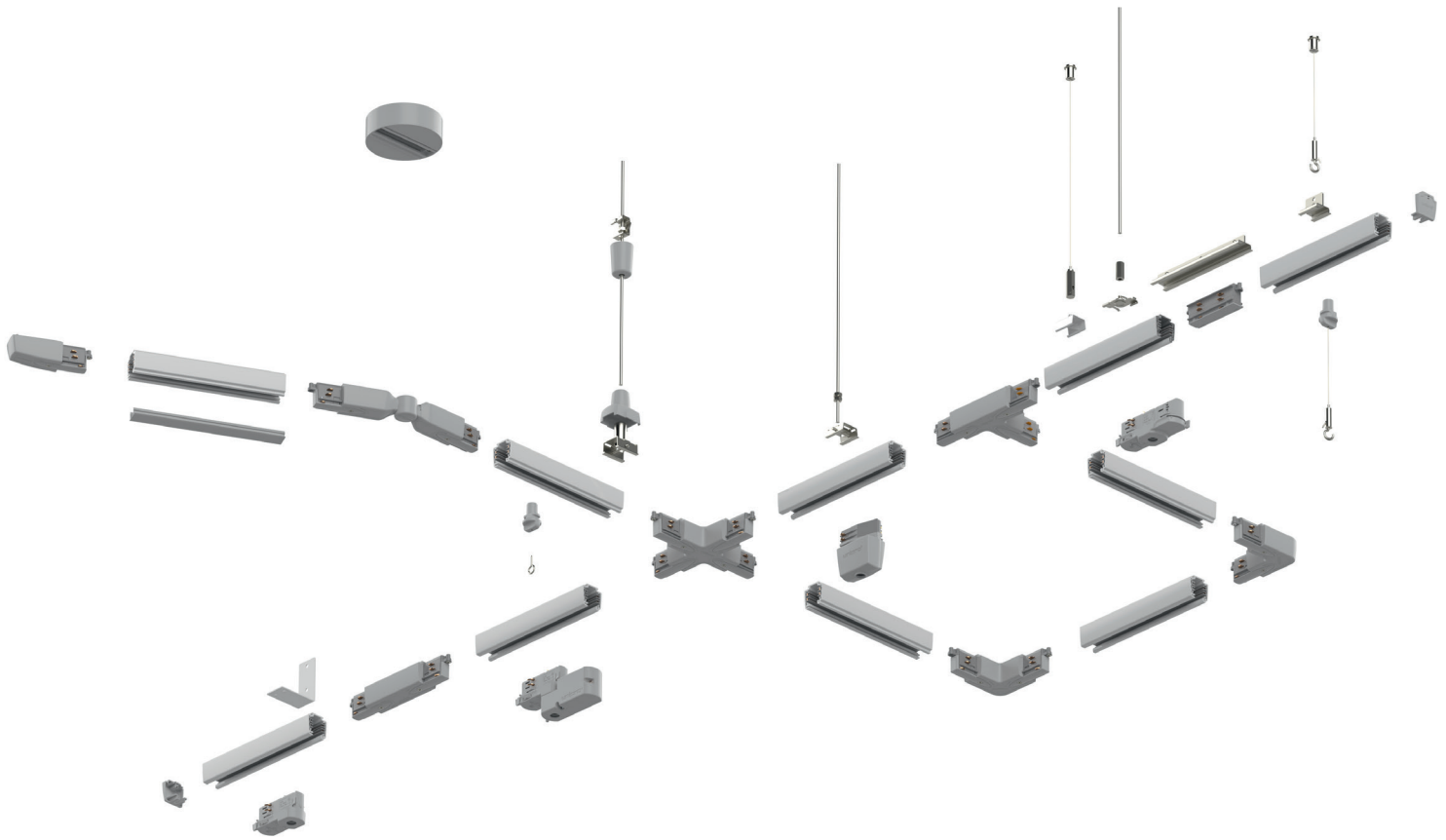
MP19H microprismatic diffusor

MCS wireless daylight&occ sensor

XCS wireless switch

Basic dimensions

230V TRACK SYSTEMS



DALI or 3-phase track systems are an essential addition to our track mounted luminaires. Lighting track system is great and popular choice for offices, shopping centers, shops, museums, gyms, restaurants and even private homes - only your imagination is the limit. It is the most flexible solution for situations where the customer needs to increase or decrease the lighting space or re-arrange the lighting in general. High quality, modern design and smooth installation of our 3 phase or DALI track assures flexibility in designing even the most advanced lighting systems. Our 230V track system includes surface and recessed 3-phase and DALI lighting tracks in different lengths and wide range of mounting accessories. Universal and modular design is easy to expand and adapt to any project's requirements. L-corners are adjustable and reversible with changeable earthing for fast and easy installation. In fire-safety situations halogen-free lighting track parts will not release any flammable gases harmful for health.

Complete information about our 230V track systems can be found in our pricelist.

PDF datasheet:



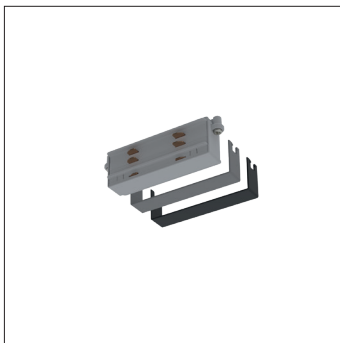
230V TRACK SYSTEMS



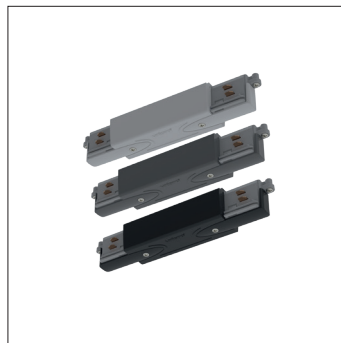
**SURFACE MOUNTED OR SUSPENDED
3-PHASE & DALI LIGHTING TRACKS**



**CEILING RECESSED
3-PHASE & DALI LIGHTING TRACKS**



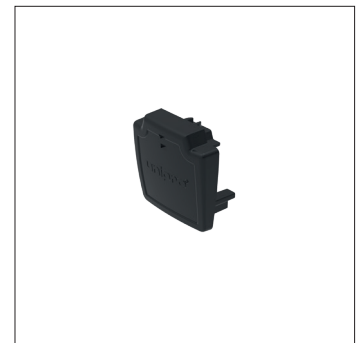
Jointing unit JU3



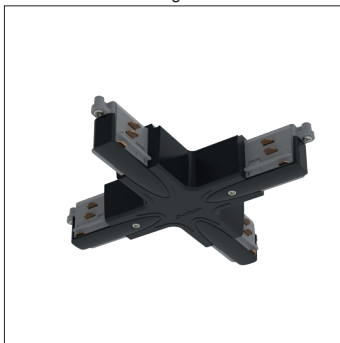
Middle connection unit MCU3



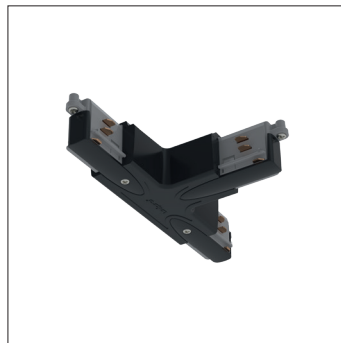
Connection unit CU3



End cap EC3



X-piece XA3



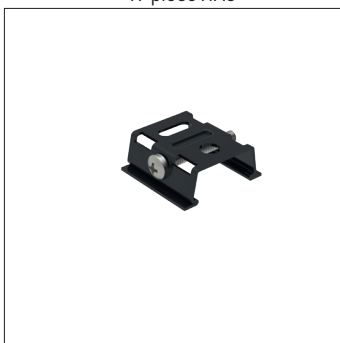
T-piece TA3



L-piece LC3



Adjustable corner ALC3



Ceiling bracket CB3



Pendant bracket PB



Pendant coupler PC



Wire suspension set WS



PROLINE 50 TRACK

Product code	Product name	Gross Lumen [lm]	Nett Lumen [lm]	Power [W]	Efficacy [lm/W]	Colour temperature [K]	Optics	Diameter [mm]	Height [mm]	Nett Weight [kg]
30.00860.83.E.OP	PROLINE 50 TRACK / 4400 lm / 830 / E / OP	4400	3750	26	144	3000	Symmetrical	1149	50	2,3
30.00860.84.E.OP	PROLINE 50 TRACK / 4400 lm / 840 / E / OP	4400	3750	26	144	4000	Symmetrical	1149	50	2,3
30.00860.83.E.MPH	PROLINE 50 TRACK / 4400 lm / 830 / E / MPH	4400	3750	26	144	3000	Symmetrical	1149	50	2,3
30.00860.84.E.MPH	PROLINE 50 TRACK / 4400 lm / 840 / E / MPH	4400	3750	26	144	4000	Symmetrical	1149	50	2,3
30.00861.83.E.OP	PROLINE 50 TRACK / 5500 lm / 830 / E / OP	5500	4675	33	142	3000	Symmetrical	1430	50	2,6
30.00861.84.E.OP	PROLINE 50 TRACK / 5500 lm / 840 / E / OP	5500	4675	33	142	4000	Symmetrical	1430	50	2,6
30.00861.83.E.MPH	PROLINE 50 TRACK / 5500 lm / 830 / E / MPH	5500	4675	33	142	3000	Symmetrical	1430	50	2,6
30.00861.84.E.MPH	PROLINE 50 TRACK / 5500 lm / 840 / E / MPH	5500	4675	33	142	4000	Symmetrical	1430	50	2,6